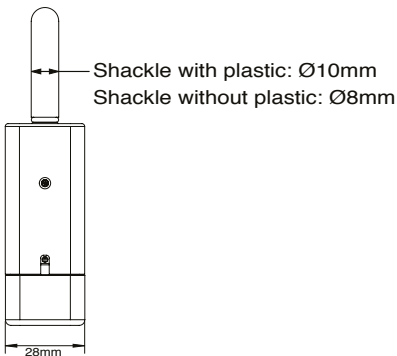
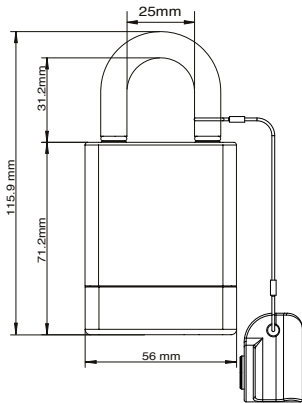


# PL2 Padlock

Product ID: PL2

The PL2 is the smaller, lighter alternative to the PL5. The standard version comes with a black plastic covering to add protection and style and a sliding cover to protect the cylinder. The PL2 features a slightly smaller shackle than the PL5 and is not compatible with a Hasp. The PL2 is ideal for tighter spaces where vandalism to the lock is less of a concern.



GENERAL	
Dimensions & weight	56 x 115.9 x 28 mm   8mm Shackle
Material	TUBE TPR / O-RING NBR / TOP COVER PVC / BOTTOM COVER POM / SLIDING RAIN CAP POM
ENVIRONMENT	
Temperature	-20 °C to 80 °C (Storage) -20 °C to 65 °C (Operation)
Relative Humidity (RH)	0 to 95% (Without Condensation)
Ingress Protection	IP67 (with the sealing cap)
ELECTRONICS	
Power Supply	Powered by the key
Encryption	AES 128-bit
LOGIC	
Accessible Keys	1 million
Audit Trail	1000 Access Logs   100 Blacklisted Keys
COMPATIBILITY	
Keys	All key types
CERTIFICATION	
	CE
WARRANTY	
Warranty	2 years / 10,000 openings

Version 1902-001

For more information  
To learn more about Acsys International

visit [www.acsys.com](http://www.acsys.com)  
Acsys International Ltd.

**DISCLAIMER:** This document gives certain information about products and/or services provided by Acsys International Limited or its related companies (referred to as "Acsys"). The information is indicative only and is subject to change without notice meaning it may be out of date at any given time. Although every commercially reasonable effort has been taken to ensure the quality and accuracy of the information, Acsys makes no representation as to its accuracy or completeness and it should not be relied on as such.