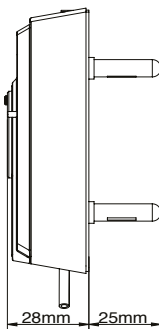
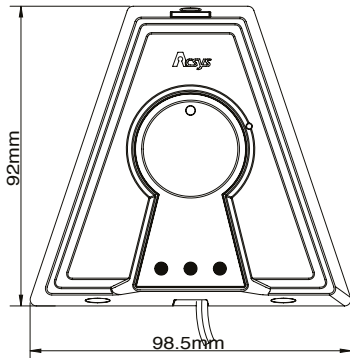


IP Programmer

Product ID: IPAP

The IP Programmer is used to connect Acsys' mechatronic keys and locks with the Acsysware database remotely. Each programmer transfers the access rights assigned to specific user keys and users can enjoy a more convenient means to update their user keys remotely.

Through a LAN, an IP Programmer can be placed in any location and is used to quickly edit or delete user keys and to upload access logs from user keys or locks through the transfer keys.



GENERAL	
Dimensions	98.5 x 92 x 28 mm
Material	Top Cover Plastic / Rain Cap Aluminum / LED
LED	3 Blue indicators ON, READY, BUSY
ENVIRONMENT	
Operating Temperature	-20 °C to 65 °C
Relative Humidity (RH)	-20 to 97%
ELECTRONICS	
Power Supply	DC Power Supply (5V, 100mA)
Connectivity	Wired - RJ-45
Encryption	AES 128-bit
COMPATIBILITY	
Keys	All key types
CERTIFICATION	
	CE
WARRANTY	
Warranty	2 years

Version 1902-001

For more information
To learn more about Acsys International

visit www.acsys.com
Acsys International Ltd.

DISCLAIMER: This document gives certain information about products and/or services provided by Acsys International Limited or its related companies (referred to as "Acsys"). The information is indicative only and is subject to change without notice meaning it may be out of date at any given time. Although every commercially reasonable effort has been taken to ensure the quality and accuracy of the information, Acsys makes no representation as to its accuracy or completeness and it should not be relied on as such.