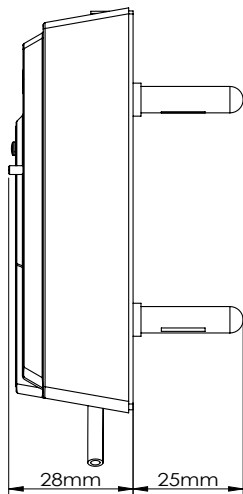
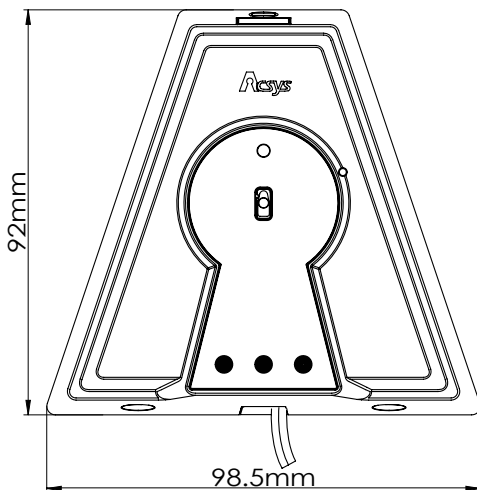


USB Programmer (A-type)

Product ID: USAP



The USB Programmer is used to connect Acsys's mechatronic keys and locks with the Acsysware software installed on a computer. After directly connecting to a computer's USB port, the USB Programmer is used to pass data to and from the Transfer Key to create edit, and delete locks, blacklist keys, and upload lock access logs. User keys are inserted into the programmer to create, edit, and delete access rights and upload key access logs.



General	
Dimensions	98.5 x 92 x 28 mm
Material	TOP COVER PLASTIC / LED
Life Expectancy	5 years; guaranteed 2 years
Environment Specifications	
Operating Temperature	-20 to 85 °C
Operating Humidity	-20 to 97 R.H.
Electronic	
Power Supply	USB (DC) (5V, 100mA)
Port	Mini USB
Encryption Algorithm	AES 128bit
Compatibility	
Keys	All Key Types
Compliance	
Quality Certification	CE, FCC, ROHS