

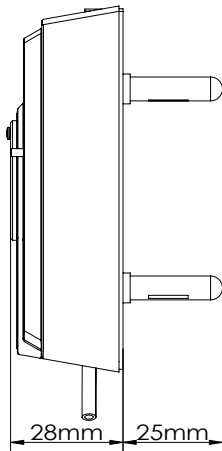
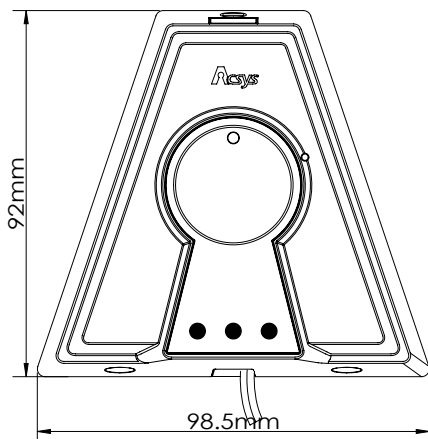
IP Programmer (A-type)

Product ID: IPAP



The IP Programmer is used to connect Acsys' mechatronic keys and locks with the Acsysware database remotely. Each programmer transfers the access rights assigned to specific user keys and users can enjoy a more convenient means to update their user keys remotely.

Through a LAN, an IP Programmer can be placed in any location and is used to quickly edit, or delete user keys and to upload access logs from user keys or locks through the transfer keys.



General	
Dimensions	98.5 x 92 x 28 mm
Material	TOP COVER PLASTIC / RAIN CAP ALUMINUM / LED
LED	3, blue color; On / Ready / Busy
IP Rating	IP55
Life Expectancy	5 years; guaranteed 2 years
Environment Specifications	
Operating Temperature	-20 to 65 °C
Operating Humidity	0 to 97 R.H.
Electronic	
Power Supply	DC Power Supply (5V, 100mA)
Connectivity	Wired RJ-45
Encryption Algorithm	AES 128bit
Compatibility	
Keys	All Key Types
Compliance	
Quality Certification	CE, FCC, ROHS