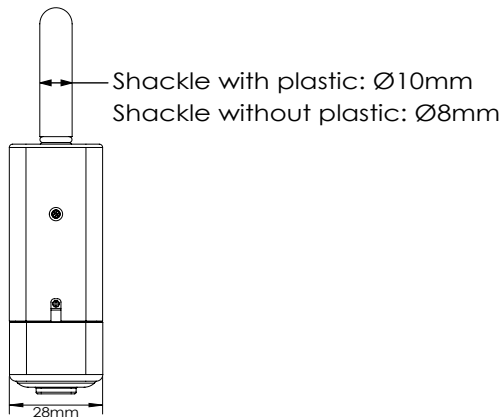
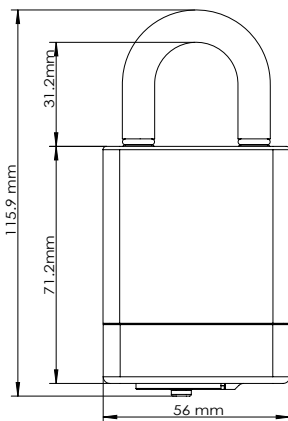


PL2 Padlock

Product ID: PL2



The PL2 is the smaller, lighter alternative to the PL5. The standard version comes with a black plastic covering to add protection and style and a sliding cover to protect the cylinder. The PL2 features a slightly smaller shackle than the PL5 and is not compatible with a Hasp. The PL2 is ideal for tighter spaces where vandalism to the lock is less of a concern.

| General | |
|----------------------------|---|
| Dimensions | 56 x 115.9 x 28 mm |
| Material | TUBE TPR / O-RING NBR / TOP COVER PVC / BOTTOM COVER POM / SLIDING RAIN CAP POM |
| Life Expectancy | 100,000 openings; guaranteed for 2 years |
| Environment Specifications | |
| Storage Temperature | -20 to +80 °C |
| Operating Temperature | -20 to +65 °C (Tested +85 °C) |
| Relative Humidity (RH) | 0 to 95% (Without Condensation) |
| Logic | |
| Number of Keys Accessible | 1 million |
| Memory Capacity | 1000 logs; 100 blacklisted keys |
| Electronic | |
| Power Supply | powered by key |
| Encryption Algorithm | AES 128bit |
| Compatibility | |
| Keys | All Key Types |
| Compliance | |
| Quality Certification | CE, FCC, ROHS |