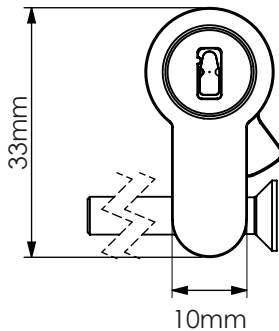
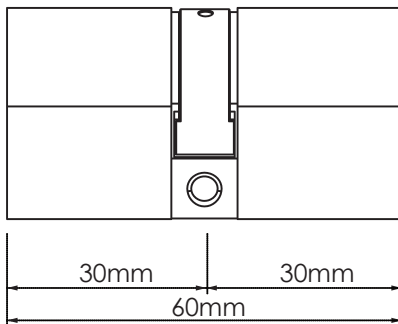


Double Entry Lock

Product ID: DL



The Acsys Double Entry Lock is a two-sided mechatronic cylinder lock, requiring an Acsys Key to open either side. Containing programmable logic to control access of up to 1 million keys and top-grade encryption standards, these electronic features are complemented by a variety of mechanical anti-theft measures.



| General | |
|----------------------------|--|
| Dimensions | 60mm - 140mm |
| Material | Brass with stainless steel plating |
| Standard | Euro DIN |
| Life Expectancy | 100,000 openings; guaranteed for 2 years |
| Environment Specifications | |
| Storage Temperature | -20 to +80 °C |
| Operating Temperature | -20 to +65 °C (Tested +85 °C) |
| Relative Humidity (RH) | 0 to 95% (Without Condensation) |
| Logic | |
| Number of Locks Accessible | 1 million |
| Memory Capacity | 1000 logs; 100 blacklisted keys |
| Electronic | |
| Power Supply | powered by key |
| Encryption Algorithm | AES 128bit |
| Compatibility | |
| Keys | All Key Types |
| Compliance | |
| Quality Certification | CE, FCC, ROHS |