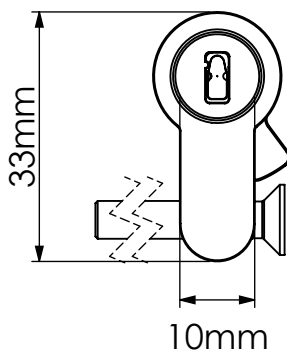
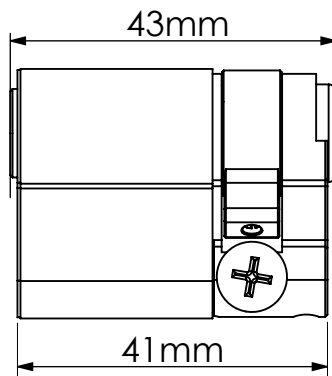


# Single Entry Blind Lock

Product ID: SL



The Acsys Single Entry Blind Lock is a single entry mechatronic cylinder lock. The Single Blind Lock is the most versatile of Acsys's cylinder locks as its compact size allows it to be fitted in not only regular doors but also swinghandles for cabinets and server racks. Containing programmable logic to control access of up to 1 million keys and top-grade encryption standards, these electronic features are complemented by a variety of mechanical anti-theft measures.



General	
Dimensions	40(10/30)mm - 80(10/70)mm
Material	Brass with stainless steel plating
Standard	Euro DIN
Life Expectancy	100,000 openings; guaranteed for 2 years
Environment Specifications	
Storage Temperature	-20 to +80 °C
Operating Temperature	-20 to +65 °C (Tested +85 °C)
Relative Humidity (RH)	0 to 95% (Without Condensation)
Logic	
Number of Locks Accessible	1 million
Memory Capacity	1000 logs; 100 blacklisted keys
Electronic	
Power Supply	powered by key
Encryption Algorithm	AES 128bit
Compatibility	
Keys	All Key Types
Compliance	
Quality Certification	CE, FCC, ROHS